

# M PUMP 2" ALUMINIUM



## Pump Data

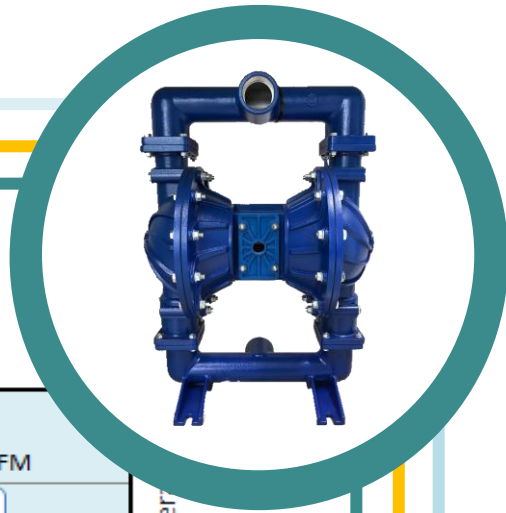
Max. Flow Rate	650 lpm
Max. Working Pressure	125 psi
Air Inlet Connection	3/4" NPT (F)
Fluid Connection	2" NPT/BSP (F)
Max. Lift Dry Limits	6 m
Max. Solid Sizes	6 mm
Temperature Limits	Determined by Elastomers

## Typical Pump Design Code

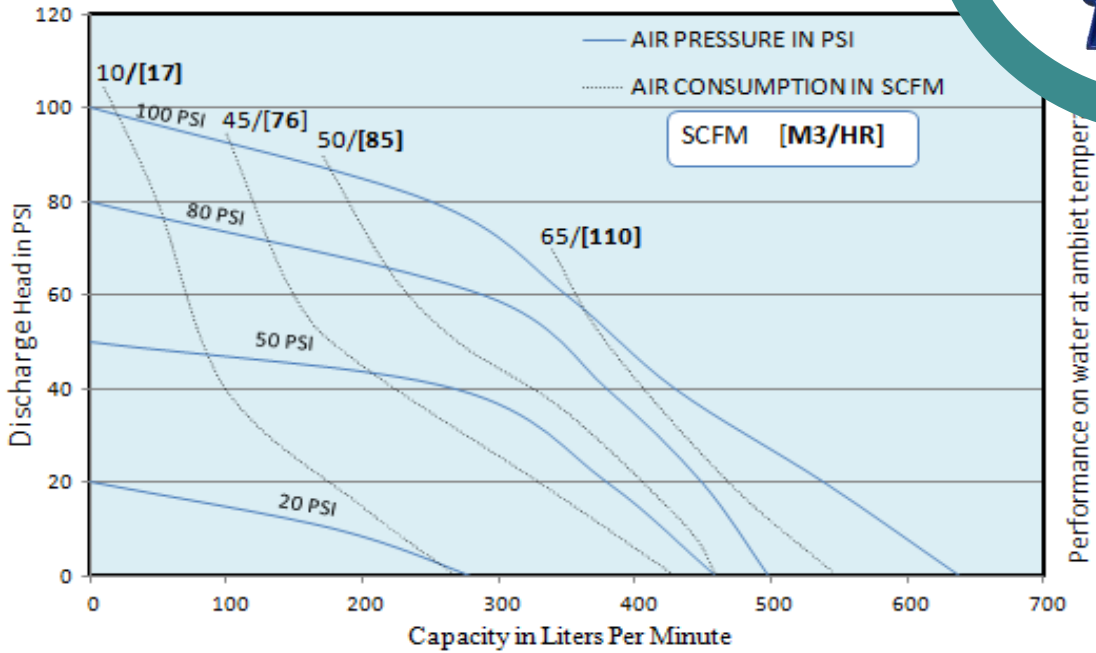


Series	Pump Sizes	Wet Parts	Non Wet Parts	Diaphragm	Ball Valve	Valve Seat	Connections
MP: Clamp Design	0.25: 1/4" 0.5: 1/2"	A: Aluminium P: Polypropylene K: Kynar S: Stainless Steel	A: Aluminium G: GFPP  <b>Optional</b> S: Stainless Steel	B: Buna-N E: EPDM H: Hytel N: Neoprene T: PTFE U: Polyurethane V: Viton W: Santoprene	B: Buna-N E: EPDM H: Hytel N: Neoprene T: PTFE U: Polyurethane V: Viton W: Santoprene	A: Aluminium B: Buna-N K: Kynar N: Neoprene P: Polypropylene S: Stainless Steel T: PTFE W: Santoprene	BSP: BSP Thread F: Flange NPT: NPT Thread
MB: Bolt design	1: 1" 2: 2" 3: 3"						

# DATA SHEET



## Performance



## Dimension

